

TEST REPORT

<u>APPLICANT</u>	: CLASSIC INTERNATIONAL HOLDINGS LIMITED
<u>ADDRESS</u>	: Suite A3, 35/F, United Centre, 95 Queensway, Admiralty, Hong Kong
<u>SAMPLE DESCRIPTION</u>	: Happy Water Drip
<u>ITEM NO.</u>	: 70086
<u>MANUFACTURER</u>	: CLASSIC TOYS (NINGBO) CO., LTD
<u>COUNTRY OF ORIGIN</u>	: China
<u>AGE REQUESTED ON APPLICATION FORM</u>	: 3+
<u>LABELED AGE GRADE</u>	: Age: 3+
<u>AGE GRADE APPLIED IN TESTING</u>	: Over 3 Years
<u>SAMPLE RECEIVED DATE</u>	: 02-Feb-2024
<u>TURN AROUND TIME</u>	: 02-Feb-2024 to 18-Feb-2024

The following test item(s) was/were performed on submitted sample(s) and/or component(s) confirmed by applicant

TEST REQUESTED	TEST METHOD/REGULATION	RESULT
Physical and Mechanical Hazards	EN 71-1:2014+A1:2018	Pass
Labeling Requirement	Directive 2009/48/EC	See Test Result
Flammability of Toys	EN 71-2:2020	Pass

Samples are obtained by express delivery, Results obtained refer only to samples, products or material received in Laboratory, as described in point related to sample description, and tested in conditions shown in present report. Eurofins MTS Consumer Product Testing (Shanghai) Co., Ltd ensures that this job has been performed according to our Quality System and complying contract and legal conditions. If you happen to have any comments, please do it by sending email to infosh@cpt.eurofinscn.com and referring to this report number. Reproduction of this document is only valid if it is done completely and under the written permission of Eurofins Product Testing Service (Shanghai) Co., Ltd. If you happen to have any complaints, please do it by sending email to chinacomplaint@eurofins.com and referring to this report number.



Eurofins (Shanghai) contact information**Customer service:** Ruby.Li@cpt.eurofinscn.com/ +86 21 36202866**Sales specialist:** Jade.Zhu@cpt.eurofinscn.com/ +86 13738837010

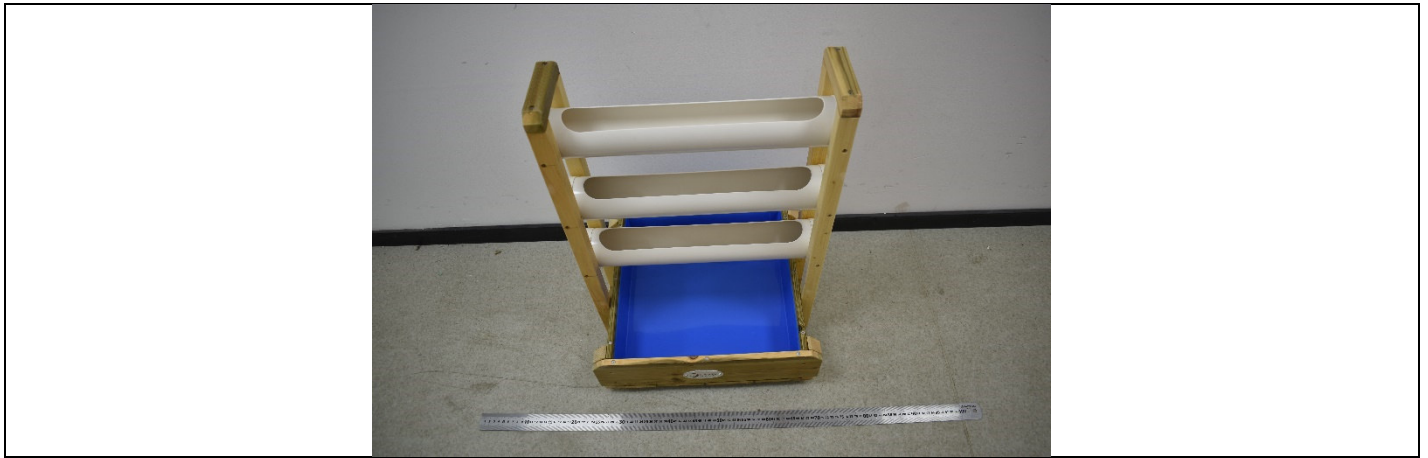
***** FOR FURTHER DETAILS, PLEASE REFER TO THE FOLLOWING PAGE(S) *****

Signed for and on behalf of
Eurofins MTS Consumer Product Testing (Shanghai) Co., Ltd.

Gao Jian, David
Senior Manager, Toy Division



SAMPLE PHOTO(S)



A

EFW524020367-CG-02

TO BE CONTINUED

TEST RESULT

Physical and Mechanical Hazards

Test Request: As specified in European Standard on Safety of Toys EN 71-1:2014+A1:2018

Section	Description	Result
4	General requirements	
4.1	Material cleanliness (by visual assessment)	P
4.2	Assembly	P
4.3	Flexible plastic sheeting	N/A
4.4	Toy Bags	N/A
4.5	Glass	N/A
4.6	Expanding Materials	N/A
4.7	Edges	P
4.8	Points and Metallic Wires	P
4.9	Protruding parts	N/A
4.10	Parts moving against each other	
4.10.1	Folding and sliding mechanisms	N/A
4.10.2	Driving mechanisms.	N/A
4.10.3	Hinges	N/A
4.10.4	Springs	N/A
4.11	Mouth-actuated toys and other toys intended to be put in the mouth	N/A
4.12	Balloons	N/A
4.13	Cords of toy kites and other flying toys.	N/A
4.14	Enclosures	
4.14.1	Toys which a child can enter	N/A
4.14.2	Masks and helmets	N/A
4.15	Toys intended to bear the mass of a child	
4.15.1	Toys propelled by the child or by other means	N/A
4.15.2	Toy bicycles	N/A
4.15.3	Rocking horses and similar toys	N/A
4.15.4	Toys not propelled by a child	N/A
4.15.5	Toys scooters	N/A
4.16	Heavy immobile toys	P
4.17	Projectiles	
4.17.1	General	N/A
4.17.2	All projectiles	N/A
4.17.3	Projectile toy with stored energy	N/A
4.17.4	Certain projectile toys without stored energy	N/A
4.18	Aquatic toys and inflatable toys	N/A
4.19	Percussion caps specifically designed for use in toys and toys using percussion caps	N/A
4.20	Acoustics	
4.20.2.1	General	N/A
4.20.2.2	Close-to-the-ear toys	N/A
4.20.2.3	Table-top or floor toys	N/A
4.20.2.4	Hand-held toys	N/A
4.20.2.5	Toys using headphones or earphones	N/A
4.20.2.6	Rattles	N/A
4.20.2.7	Squeeze toys	N/A
4.20.2.8	Pull-along or push toys	N/A

TO BE CONTINUED

TEST RESULT

Section	Description	Result
4.20.2.9	Percussion toys	N/A
4.20.2.10	Wind toys	N/A
4.20.2.11	Cap-firing toys	N/A
4.20.2.12	Voice toys	N/A
4.21	Toys containing a non-electrical heat source	N/A
4.22	Small balls	N/A
4.23	Magnets	N/A
4.24	Yo-yo balls	N/A
4.25	Toys attached to food	N/A
4.26	Toy disguise costumes	N/A
4.27	Flying toys	
4.27.1	General	N/A
4.27.2	Rotors and propellers on flying toys	N/A
4.27.3	Rotors and propellers on remote controlled flying toys	N/A
5	Toys intended for children under 36 months	
5.1	General requirements	N/A
5.2	Soft-filled toys and soft-filled parts of a toy	N/A
5.3	Plastic sheeting	N/A
5.4	Cords, chains and electrical cables in toys	N/A
5.5	Liquid-filled toys	N/A
5.6	Speed limitation of electrically-driven ride-on toys	N/A
5.7	Glass and porcelain	N/A
5.8	Shape and size of certain toys	N/A
5.9	Toys comprising monofilament fibres	N/A
5.10	Small balls	N/A
5.11	Play figures	N/A
5.12	Hemispheric-shaped toys	N/A
5.13	Suction cups	N/A
5.14	Straps intended to be worn fully or partially around the neck	N/A
5.15	Sledges with cords for pulling	N/A
6	Packaging	N/A
7	Warnings, markings and instructions for use	
7.1	General	P
7.2	Toys not intended for children under 36 months	N/A
7.3	Latex Balloons	N/A
7.4	Aquatic toys	N/A
7.5	Functional Toys	N/A
7.6	Hazardous sharp functional edges and points	N/A
7.7	Projectiles toys	N/A
7.8	Imitation protective masks and helmets	N/A
7.9	Toy kites	N/A
7.10	Roller skates, inline skates, skateboards and certain other ride-on toys	N/A
7.11	Toys intended to be strung across a cradle, cot, or perambulator	N/A
7.12	Liquid-filled teethingers	N/A
7.13	Percussion caps specifically designed for use in toys	N/A
7.14	Acoustics	N/A
7.15	Toys bicycles	N/A
7.16	Toys intended to bear the mass of a child	N/A

TO BE CONTINUED

TEST RESULT

Section	Description	Result
7.17	Toys comprising monofilament fibres	N/A
7.18	Toy scooters	N/A
7.19	Rocking horses and similar toys	N/A
7.20	Magnetic/electrical experimental sets	N/A
7.21	Toy with electrical cables exceeding 300mm in length	N/A
7.22	Toys with cords or chains intended for children of 18 months and over but under 36 months	N/A
7.23	Toys intended to be attached to a cradle, cot or perambulator	N/A
7.24	Sledges with cords for pulling	N/A
7.25	Flying toys	
7.25.1	Flying toys	N/A
7.25.2	Remote controlled flying toys	N/A
7.26	Improvised projectiles	N/A

Remark:

P - Pass, F - Fail, N/A - Not Applicable, N/C - Not Conduct as per client's request

TO BE CONTINUED

TEST RESULT

Labeling Requirement

Test Request: Labeling requirement including Washing/Cleaning instruction, CE mark, importer / manufacturer name and address, product identification as specified in Directive 2009/48/EC - Safety of toys

Labeling Content	Observation Result	Location	Conclusion
Washing/Cleaning Instruction	Not Applicable	-	-
CE Mark	Present, Correct form, CE marking (height =10mm)	Packaging	Pass
Importer's Name & Address	Not Present	-	See Remark1
Manufacturer's Name & Address	Not Present	-	See Remark1
Product ID	Present	Packaging	Pass

Remark:

1. According to TSD 2009/48/EC, manufacturer's and importer's name, registered trade name or registered trade mark and the address at which the manufacturer can be contacted must be indicated on the toy or, where that is not possible, on its packaging or in a document accompanying the toy.

Flammability of Toys

Test Request: As Specified in European Standard on Safety of Toys EN 71-2:2020

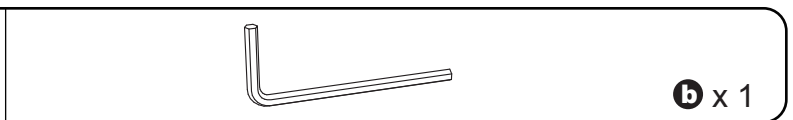
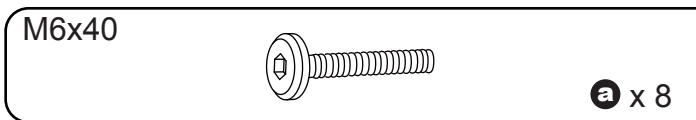
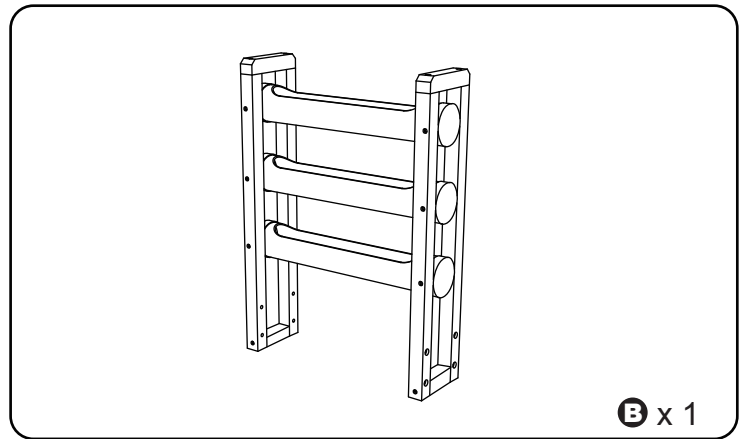
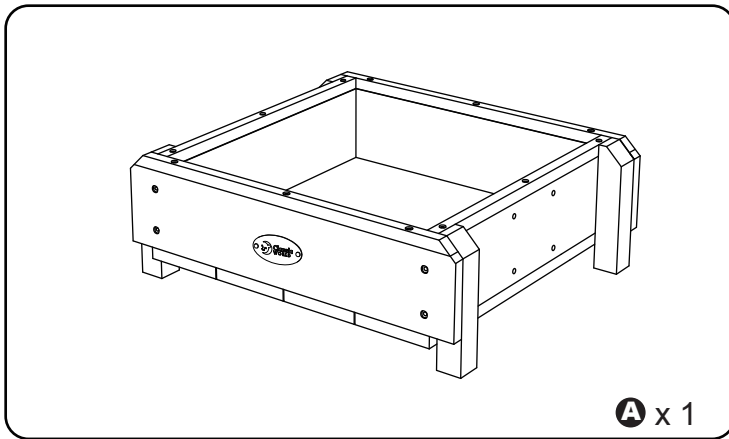
Section	Description	Result
4	Requirements	
4.1	General Requirements	P
4.2	Toys to be worn on the head	N/A
4.3	Toy disguise costumes and toys intended to be worn by a child in play	N/A
4.4	Toys intended to be entered by a child	N/A
4.5	Soft-filled toys	N/A

Remark:

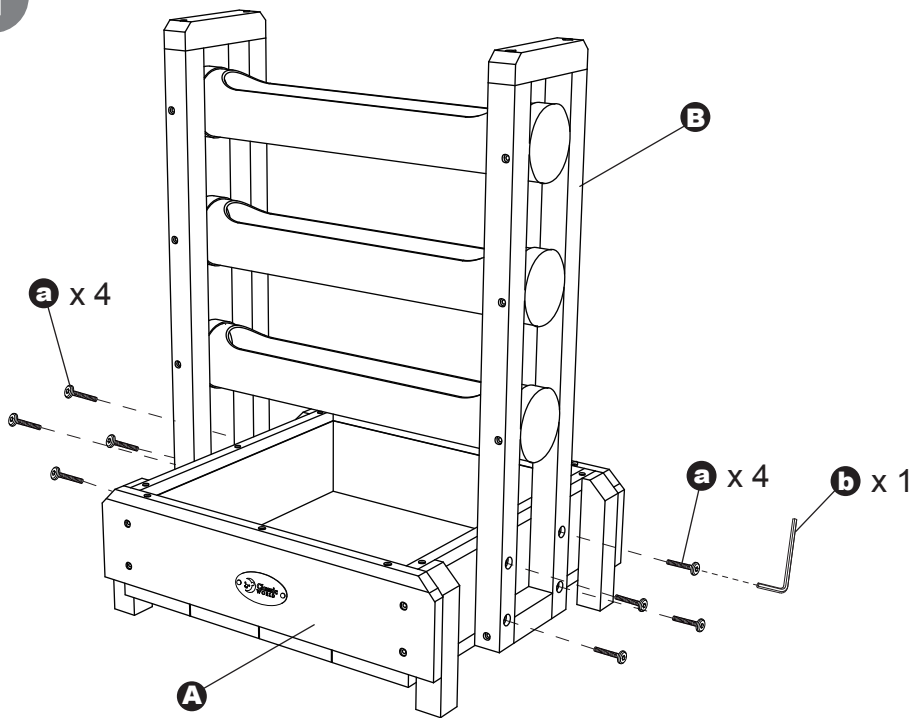
P - Pass, F - Fail, N/A - Not Applicable

END OF THE REPORT

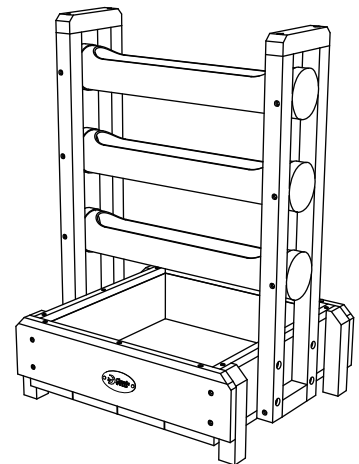
Assembly Instruction



1



2



WARNING:

- Assembly by an adult.
本产品需成人组装。
- Small parts not for child or any individuals who have a tendency to place inedible objects in their mouths.
本产品组装前含有小物件，请在组装前不要让小朋友接近，防止小物件被小朋友误食，组装完成后才能提供给小朋友使用。
- This products contain sharp points and should be assembled by adult only.
本产品配件中可能存在尖点，请在组装时不要让小朋友接触。
- Please follow the installation direction to assembling.
请严格按照此说明书安装步骤组装。