

Test Report

Number: SHAH01629938

Applicant: CLASSIC INTERNATIONAL HOLDINGS LIMITED
SUITE A3,35/F,UNITED CENTRE,95
QUEENSWAY,ADMIRALTY,HONGKONG
Attn: GAN LI TONG

Date: 14 Nov, 2023

Sample Description:

One (1) set of submitted sample said to be :
Item Name : **Happy Water Yoyo.**
Item No. : **70088.**
Quantity : 1 Set.
Packaging Provided By Applicant : 3+.
Labelled Age Group : Yes.
Country Of Origin : China.

Tests Conducted:

As requested by the applicant, for details refer to attached page(s).

Conclusion:

Tested Samples	Standard	Result
Submitted Sample	EN71-1: 2014+ A1: 2018 for Mechanical And Physical Properties	Pass
	EN71-2: 2020 Flammability Test	Pass

To be continued

Authorized By:
Intertek Testing Services Ltd .Zhejiang, Ningbo Branch

Bobo Yao
Assistant General Manager



Test Report

Number: SHAH01629938

Tests Conducted

1 Mechanical and Physical Test

As Per European Standard on Safety of Toys EN71-1: 2014+ A1: 2018.

Applicant's Specified Age Group for Testing: For ages 36 months and up

Clause	Testing Items	Assessment
4	General Requirements	
4.1	Material cleanliness	P
4.2	Assembly	P
4.3	Flexible plastic sheeting	NA
4.4	Toy bags	NA
4.5	Glass	NA
4.6	Expanding materials	NA
4.7	Edges	P
4.8	Points and metallic wires	P
4.9	Protruding parts	NA
4.10	Parts moving against each other	NA
4.11	Mouth actuated toys and other toys intended to be put in the mouth	NA
4.12	Balloons	NA
4.13	Cords of toy kites and other flying toys	NA
4.14	Enclosures	NA
4.15	Toys intended to bear the mass of a child	NA
4.16	Heavy immobile toys	NA
4.17	Projectile toys	NA
4.18	Aquatic toys and inflatable toys	NA
4.19	Percussion caps specifically designed for use in toys and toys using percussion caps	NA
4.20	Acoustics	NA
4.21	Toys containing a non-electrical heat source	NA
4.22	Small balls	NA
4.23	Magnets	NA
4.24	Yo-yo balls	NA
4.25	Toys attached to food	NA
4.26	Toy disguise costumes	NA
4.27	Flying toys	NA
5	Toys intended for Children under 36 Months	
5.1	General requirements	NA
5.2	Soft-filled toys and soft-filled parts of a toy	NA
5.3	Plastic sheeting	NA
5.4	Cords, chains and electrical cables in toys	NA
5.5	Liquid filled toys	NA
5.6	Speed limitation of electrically-driven ride-on toys	NA
5.7	Glass and porcelain	NA



Test Report

Number: SHAH01629938

Tests Conducted

Clause	Testing Items	Assessment
5.8	Shape and size of certain toys	NA
5.9	Toys comprising monofilament fibres	NA
5.10	Small balls	NA
5.11	Play figures	NA
5.12	Hemispheric-shaped toys	NA
5.13	Suction cups	NA
5.14	Straps intended to be worn fully or partially around the neck	NA
5.15	Sledges with cords for pulling	NA
6	Packaging	NA
7	Warnings, markings and instructions for use	
7.1	General	P
7.2	Toys not intended for children under 36 months	NA
7.3	Latex balloons	NA
7.4	Aquatic toys	NA
7.5	Functional toys	NA
7.6	Hazardous sharp functional edges and points	NA
7.7	Projectile toys	NA
7.8	Imitation protective masks and helmets	NA
7.9	Toy kites	NA
7.10	Roller skates, inline skates and skateboards and certain other ride-on toys	NA
7.11	Toys intended to be strung across a cradle, cot, or perambulator	NA
7.12	Liquid-filled teethingers	NA
7.13	Percussion caps specifically designed for use in toys	NA
7.14	Acoustics	NA
7.15	Toy bicycles	NA
7.16	Toys intended to bear the mass of a child	NA
7.17	Toys comprising monofilament fibres	NA
7.18	Toy scooters	NA
7.19	Rocking horses and similar toys	NA
7.20	Magnetic/electrical experimental sets	NA
7.21	Toys with electrical cables exceeding 300 mm in length	NA
7.22	Toys with cords or chains intended for children of 18 months and over but under 36 months	NA
7.23	Toys intended to be attached to a cradle, cot or perambulator	NA
7.24	Sledges with cords for pulling	NA
7.25	Flying toys	NA
7.26	Improvised projectiles	NA



Test Report

Number: SHAH01629938

Tests Conducted

Remark: P = Pass

NA = Not Applicable

Remark: Additional information according to the Toy Safety Directives 2009/48/EC requirement. These information also appears as a note within the EN 71 but are not standard requirements:

1. Marking

The manufacturer's and importer's name, registered trade name or registered trade mark, the address and the CE-marking shall be indicated on the toy or, where that is not possible, on its packaging or in a document accompany the toy. In addition, manufacturers shall ensure that their toys bear a type, batch, serial or model number or other element allowing their identification, or where the size or nature of the toy does not allow it, that the required information is provided on the packaging or in a document accompanying the toy.

After checking, it was found that:

	Toy	Packaging
Manufacturer's name	Present	Present
Manufacturer's address	Absent	Absent
Importer's name	Absent	Absent
Importer's address	Absent	Absent
Product identification code	Present	Present
CE-marking	Present	Present

Date Sample Received: 08 Nov, 2023

Testing Period: 08 Nov, 2023 To 10 Nov, 2023

To be continued



Test Report

Number: SHAH01629938

Tests Conducted

2 Flammability Test

As per European Standard on Safety of Toys EN71-2: 2020

Clause	Testing Items	Assessment
4.1	General	P
4.2	Toys to be worn on the head	
4.2.2	Beards, moustaches, wigs, etc., made from pile or flowing elements which protrude 50 mm or more from the surface of the toy	NA
4.2.3	Beards, moustaches, wigs, etc., made from pile or flowing elements which protrude less than 50 mm from the surface of the toy	NA
4.2.4	Full or partial moulded head masks	NA
4.2.5	Toys to be worn on the head	NA
4.3	Toy Disguise Costumes and Toys Intended to be Worn by a Child in Play	NA
4.4	Toys Intended to be Entered by a Child	NA
4.5	Soft Filled Toys	NA

Remark : P = Pass

NA = Not Applicable

Date Sample Received: 08 Nov, 2023

Testing Period: 08 Nov, 2023 To 10 Nov, 2023

To be continued



Test Report

Number: SHAH01629938

Tests Conducted



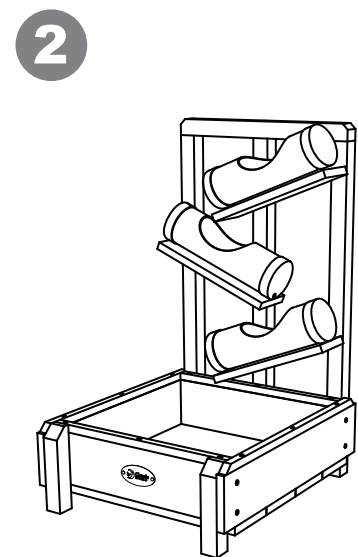
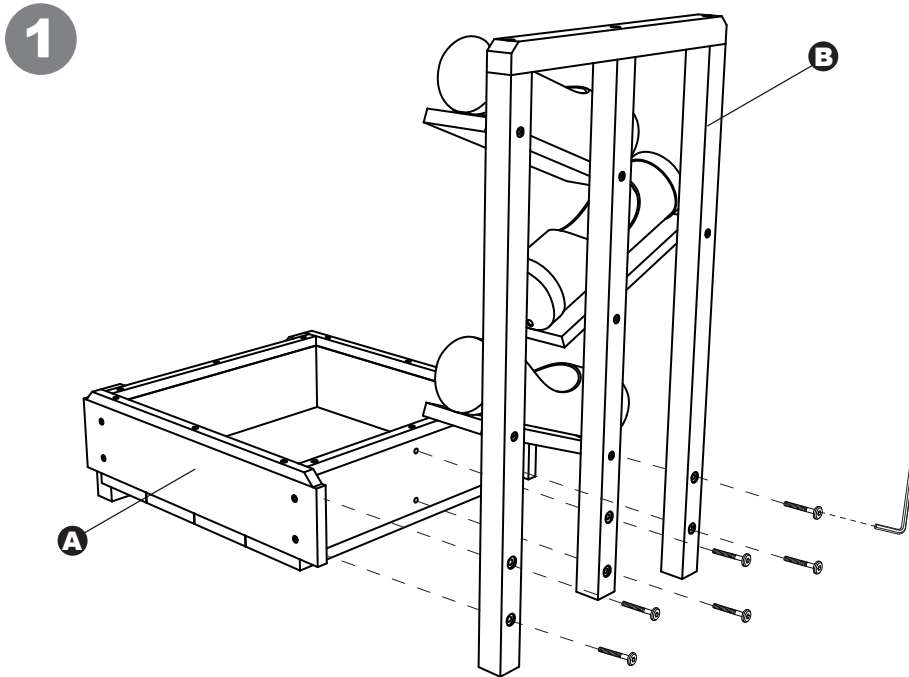
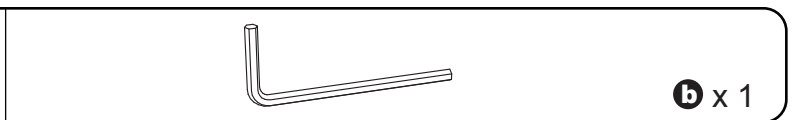
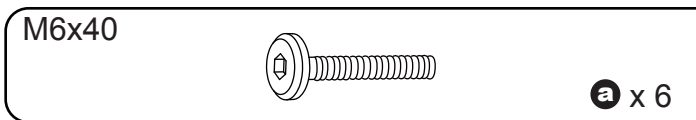
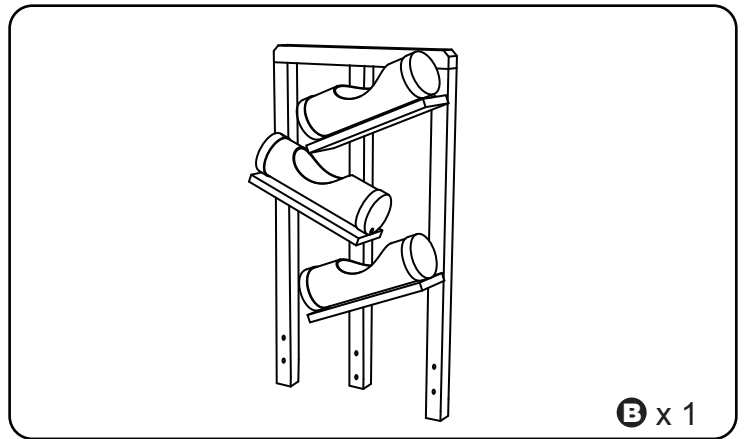
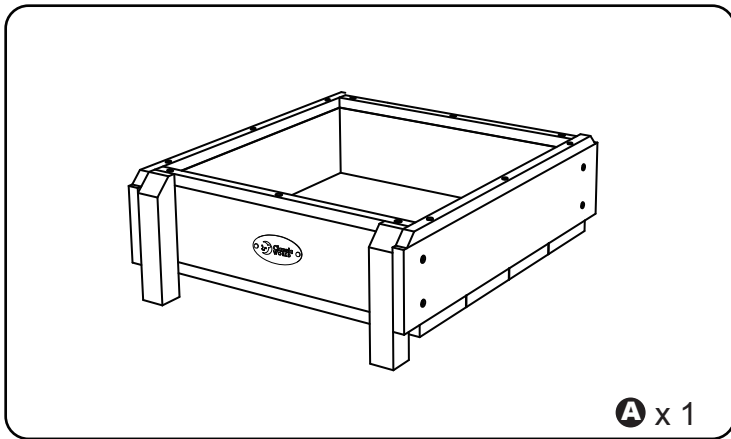
End of report

This report is made solely on the basis of your instructions and/or information and materials supplied by you. It is not intended to be a recommendation for any particular course of action. Intertek does not accept a duty of care or any other responsibility to any person other than the Client in respect of this report and only accepts liability to the Client insofar as is expressly contained in the terms and conditions governing Intertek's provision of services to you. Intertek makes no warranties or representations either express or implied with respect to this report save as provided for in those terms and conditions. We have aimed to conduct the Review on a diligent and careful basis and we do not accept any liability to you for any loss arising out of or in connection with this report, in contract, tort, by statute or otherwise, except in the event of our gross negligence or wilful misconduct.

This report shall not be reproduced except in full, without written approval of the laboratory.



Assembly Instruction



WARNING:

- Assembly by an adult.
本产品需成人组装。
- Small parts not for child or any individuals who have a tendency to place inedible objects in their mouths.
本产品组装前含有小物件，请在组装前不要让小朋友接近，防止小物件被小朋友误食，组装完成后才能提供给小朋友使用。
- This products contain sharp points and should be assembled by adult only.
本产品配件中可能存在尖点，请在组装时不要让小朋友接触。
- Please follow the installation direction to assembling.
请严格按照此说明书安装步骤组装。